

RSJ SERIES

ORDER CODE

RSJ-12-30-M

M: Metallic Cover
P: Plastic Bracket Cover
P1: Plastic Cover

20: 20A
30: 30A

COIL VOLTAGE — 12: DC12V
24: DC24V

— TYPE



Main Features:

- Plastic and Metals cover all available.
- Contact rated load up to 30A/12VDC.
- Fit to standard wiring harnesses socket.
- Application for air condition control, halogen head lamp control horn control, fog lamp control, etc.

COIL RATING (at 20°C)

NOMINAL VOLTAGE (VDC)	COIL RESISTANCE (Ω)($\pm 10\%$)	POWER CONSUMPT -ION(W)	NOMINAL CURRENT (mA)($\pm 10\%$)	PULL IN VOLTAGE (VDC)	DROP OUT VOLTAGE (VDC)	MAX. ALLOWABLE VOLTAGE (VDC)
DC12V	100 Ω	1.44W	120mA	70% MAX.	10% MIN.	130%
DC24V	400 Ω		60mA			

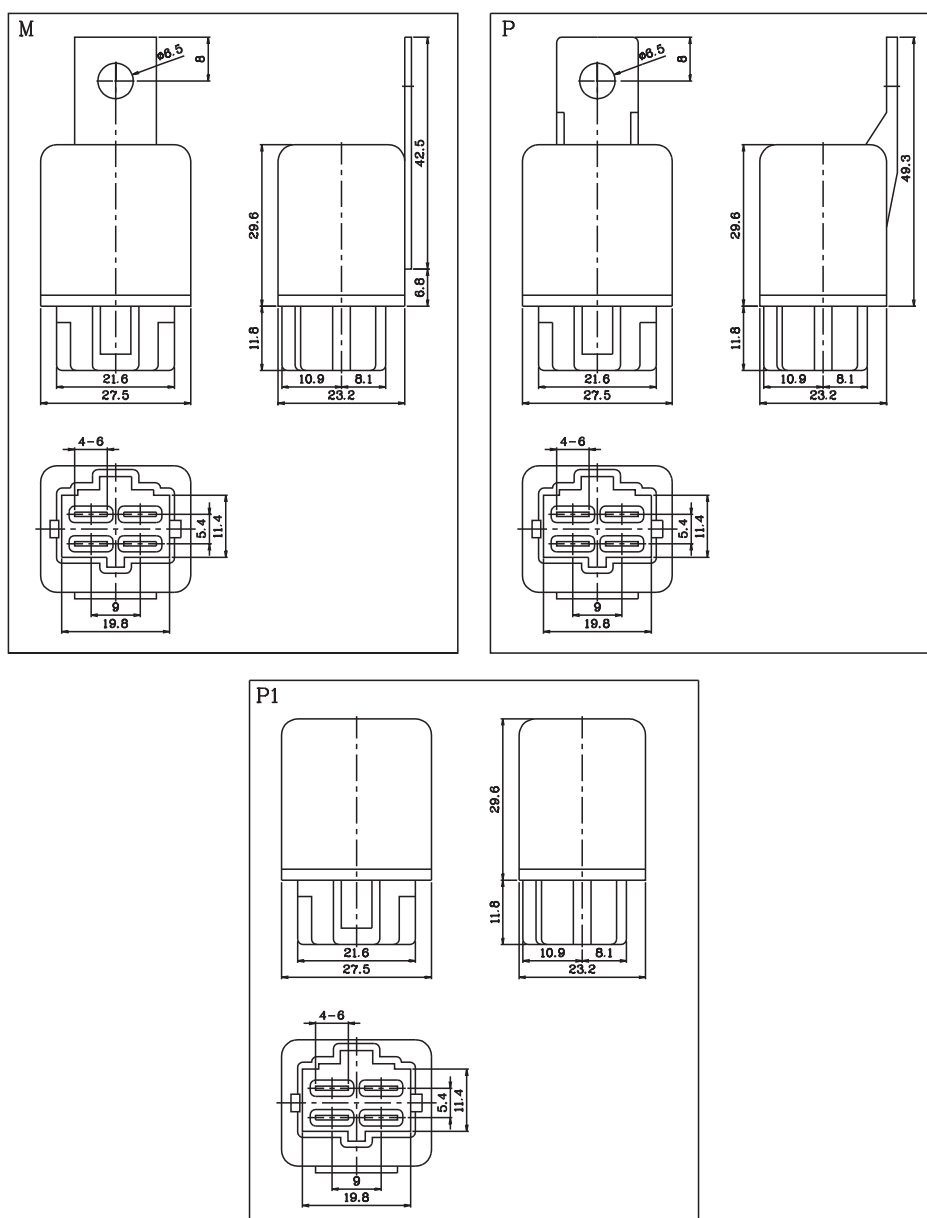
PERFORMANCE (at initial value)

Item	Type	1a
Contact Resistance		50m Ω Max. (initial value)
Operate Time		15msec Max.
Release Time		15msec Max.
Dielectric Strength between coil & contact between contact		AC1000V (1min) AC500V (1min)
Insulation Resistance		50M Ω Min.(DC500V)
Operating Ambient Temperature		-30°C ~ +80°C
Humidity		35 to 85% RH
Vibration Resistance		10G (10~55Hz)(Dual amplitude: 2mm)
Shock Resistance		10G
Life Expectancy Mechanically Electrically		500,000 ops. Min.(1800 ops./h) 100,000 ops. Min.(1200 ops./h)
Weight		47.2g(about)

CONTACT RATING

Item \ Type	1a
Rated Carrying Current	DC12V 30A DC24V 20A
Max. Allowable Current	40A
Max. Allowable Voltage	32V
Max. Current (continual)	30A
Contact Material	Ag alloy

DIMENSIONS(Unit: mm)



WIRING DIAGRAMS(Bottom View)

