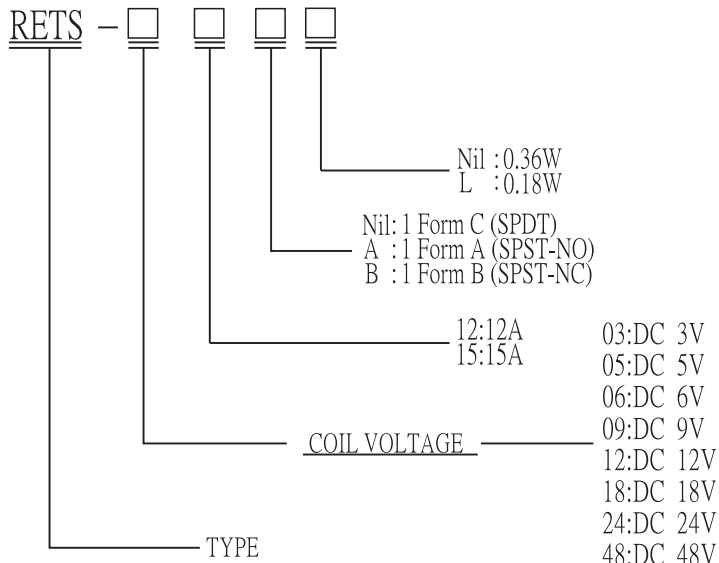


RETS SERIES

ORDERING INFORMATION



FEATURES:

- UL, CUL & TUV safety approval.
- TV-5 rating available.
- High sensitivity type.
- Epoxy seal type and flux free.
- Satisfying all requirements for use in car and household electric appliances.
- RoHS 2011/65/EU compliant

COIL RATING (at 20°C)

NOMINAL VOLTAGE (VDC)	COIL RESISTANCE (Ω)(±10%)	POWER CONSUMPT -ION(W)	NOMINAL CURRENT (mA)(±10%)	PULL IN VOLTAGE (VDC)	DROP OUT VOLTAGE (VDC)	MAX. ALLOWABLE VOLTAGE (VDC)
3V	25Ω	0.36W	120.0mA	75% MAX.	10% MIN.	110%
5V	69Ω		73.0mA			
6V	100Ω		60.0mA			
9V	225Ω		40.0mA			
12V	400Ω		30.0mA			
18V	900Ω		20.0mA			
24V	1600Ω		15.0mA			
48V	6400Ω		7.5mA			

	NOMINAL VOLTAGE (VDC)	COIL RESISTANCE (Ω)(±10%)	POWER CONSUMPT -TION(W)	NOMINAL CURRENT (mA)(±10%)	PULL IN VOLTAGE (VDC)	DROP OUT VOLTAGE (VDC)	MAX. ALLOWABLE VOLTAGE (VDC)
L	3V	50Ω	0.18W	60mA	75% MAX.	10% MIN.	110%
	5V	139Ω		36mA			
	6V	200Ω		30mA			
	9V	450Ω		20mA			
	10V	556Ω		18mA			
	12V	800Ω		15mA			
	18V	1800Ω		10mA			
	24V	3200Ω		7.5mA			

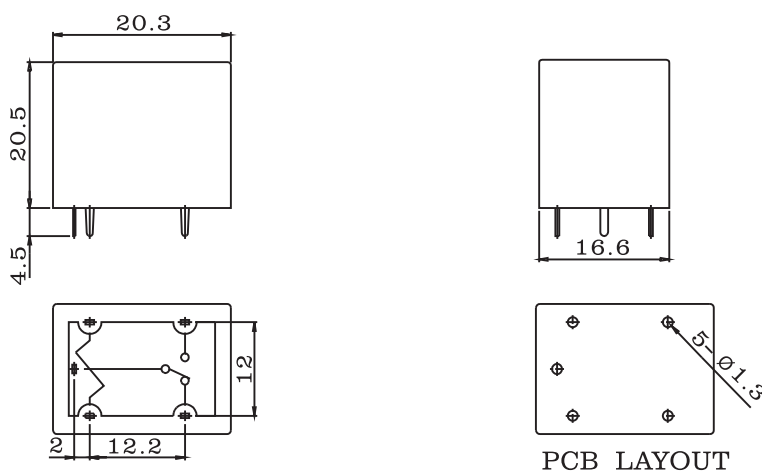
PERFORMANCE (at initial value)

Item	Type	12A	15A
Contact Resistance		50mΩ Max. (Initial value)	
Operate Time		10msec Max.	
Release Time		10msec Max.	
Dielectric Strength between coil & contact between contact		AC1500V (1min) AC750V (1min)	
Insulation Resistance		100MΩ Min. (DC500V)	
Operating Ambient Temperature		-30°C ~ +80°C	
Humidity		35 to 85% RH	
Vibration Resistnce		10G (10~55Hz)(Dual amplitude : 1.5mm)	
Shock Resistance		10G	
Life Expectancy Mechanically Electrically		10,000,000 ops. Min. (1800 ops. / h) 100,000 ops. Min. (1200 ops. / h)	
Weight		11.5g(approx.)	

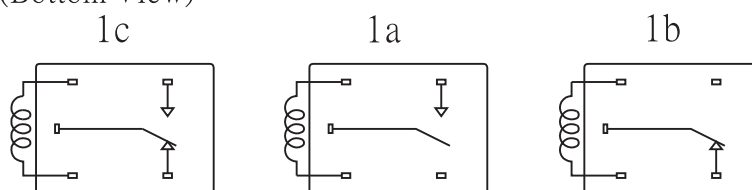
CONTACT RATING

Item \ Type	12A	15A
Rated Carrying Current	AC250V 7A AC120V 12A DC30V 12A	AC250V 10A AC120V 15A DC30V 15A
Max. Allowable Current	17A	20A
Max. Allowable Voltage	AC 250V DC 110V	
Max. Current (continual)	12A	15A
Contact Material	Ag alloy	

DIMENSIONS(Unit:mm)



WIRING DIAGRAMS(Bottom View)



REFERENCE DATA

