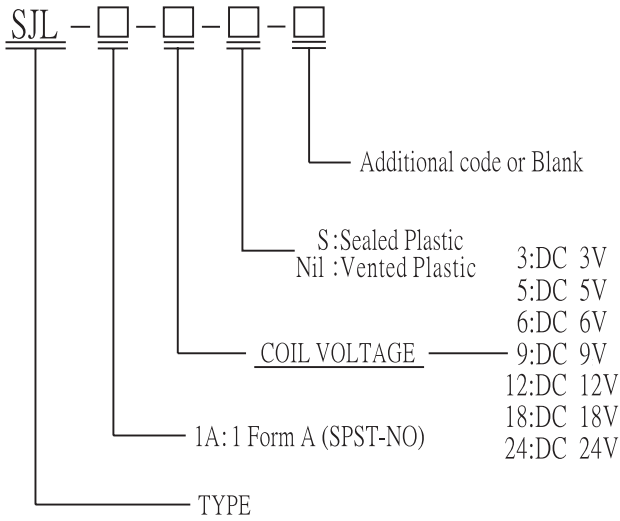


SJL SERIES

ORDERING INFORMATION



Main Features:

- Switching capacity up to 10A.
- Low coil power consumption 0.2W .
- Low cost miniature PCB power Relays slim type 7mm width.
- Environmental friendly product (RoHS complaint).

COIL RATING(at 20°C)

NOMINAL VOLTAGE (VDC)	COIL RESISTANCE (Ω)(±10%)	POWER CONSUMPT -ION(W)	NOMINAL CURRENT (mA)(±10%)	PULL IN VOLTAGE (VDC)	DROP OUT VOLTAGE (VDC)	MAX.ALLOWABLE VOLTAGE (VDC)
3V	45 Ω	0.2W	66.67mA	75% MAX.	10% MIN.	130%
5V	125 Ω		40.00mA			
6V	180 Ω		33.33mA			
9V	405 Ω		22.22mA			
12V	720 Ω		16.67mA			
18V	1620 Ω		11.11mA			
24V	2880 Ω		8.57mA			

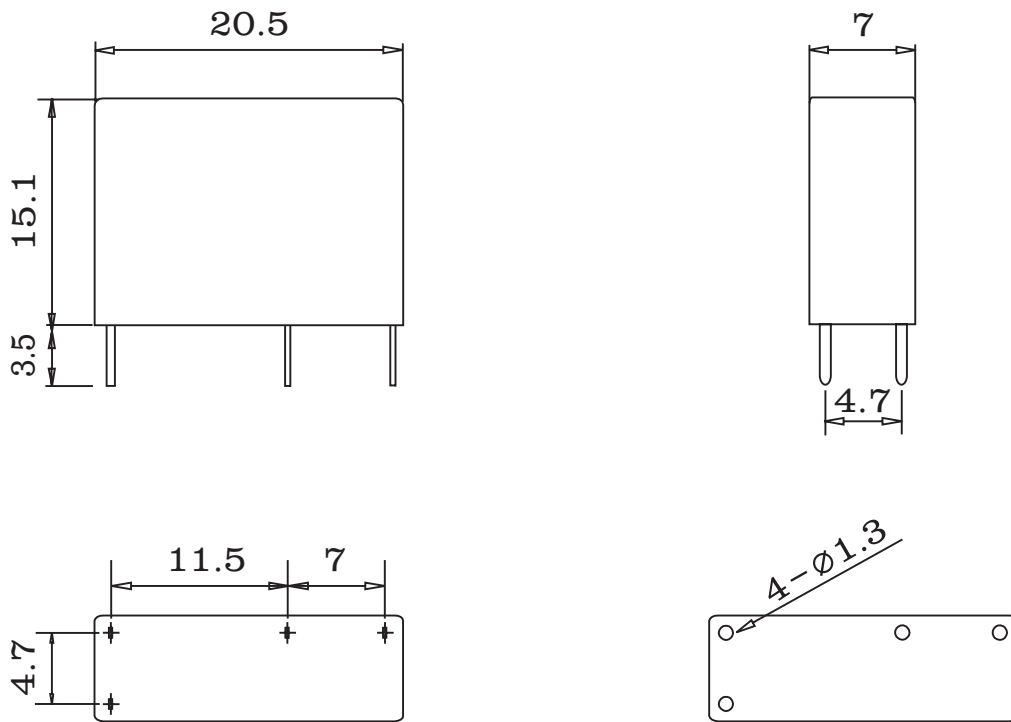
PERFORMANCE(at initial value)

Item	Type	5A	7A	10A
Contact Resistance		100mΩ Max. (Initial value)		
Operate Time		10 msec Max.		
Release Time		5msec Max.		
Dielectric Strength between coil & contact between contact		AC4000V (1min) AC750V (1min)		
Insulation Resistance		100MΩ Min. (DC500V)		
Operating Ambient Temperature		-40°C ~ +85°C		
Humidity		35 to 85% RH		
Vibration Resistance		10G (10~55Hz)(Dual amplitude:1.5mm)		
Shock Resistance		10G		
Life Expectancy Mechanically Electrically		10,000,000 ops. Min.(1800 ops./h) 100,000 ops. Min. (1200 ops./h)		
Weight		Approx 3g		

CONTACT RATING

Item \ Type	5A	7A	10A
Rated Carrying Current	AC250V 5A DC30V 5A	AC250V 7A DC30V 7A	AC250V 10A DC30V 10A
Max. Allowable Current	5A	7A	10A
Max. Allowable Voltage	AC250V DC30V		
Max. Current (continual)	5A	7A	10A
Contact Material	Ag Alloy		

DIMENSIONS(Unit:mm)



PCB LAYOUT

WIRING DIAGRAMS(Bottom View)

1a

