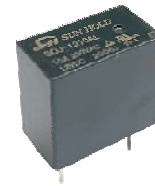
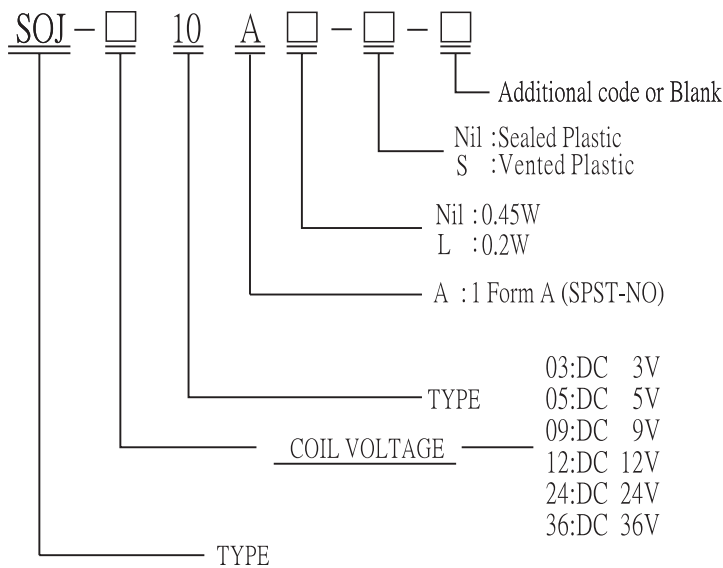


# SOJ High Power SERIES

## ORDERING INFORMATION



## FEATURES:

- 1 form A contact.
- Small size produces a switching capacity up to 10,18 or 20 amps for high density PCB mounting technique.
- Surge strength 4,000 VAC.
- Special design for household appliances flux free and sealed type available.
- High ratings: 10A/250VAC, 18A/277VAC, 20A/250VAC, TV-8, 1/3HP 250VAC .
- Insulation system: Class F .
- Environmental friendly product (RoHS complaint).

## COIL RATING(at 20°C)

NOMINAL VOLTAGE (VDC)	COIL RESISTANCE (Ω)(±10%)	POWER CONSUMPT -ION(W)	NOMINAL CURRENT (mA)(±10%)	PULL IN VOLTAGE (VDC)	DROP OUT VOLTAGE (VDC)	MAX. ALLOWABLE VOLTAGE (VDC)
3V	20 Ω	0.45W	150.0mA	70% MAX.	5% MIN.	130%
5V	55 Ω		90.9mA			
9V	180 Ω		50.0mA			
12V	320 Ω		37.5mA			
24V	1280 Ω		18.8mA			
36V	2280 Ω		15.8mA			

	NOMINAL VOLTAGE (VDC)	COIL RESISTANCE (Ω)(±10%)	POWER CONSUMPT -ION(W)	NOMINAL CURRENT (mA)(±10%)	PULL IN VOLTAGE (VDC)	DROP OUT VOLTAGE (VDC)	MAX. ALLOWABLE VOLTAGE (VDC)
L	3V	45 Ω	0.2W	66.7mA	75% MAX.	5% MIN.	130%
	5V	125 Ω		40.0mA			
	9V	400 Ω		22.5mA			
	12V	720 Ω		16.7mA			
	24V	2880 Ω		8.3mA			
	36V	6480 Ω		5.6mA			

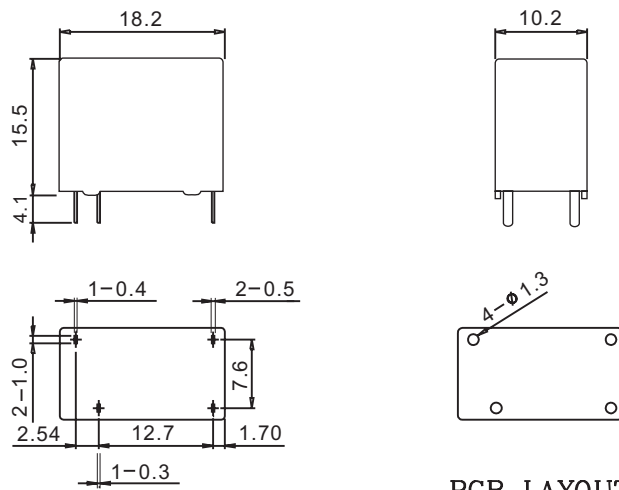
## PERFORMANCE(at initial value)

Item	Type	10A/18A/20A
Contact Resistance		100mΩ Max.(initial value)
Operate Time		10msec Max.
Release Time		5msec Max.
Dielectric Strength between coil & contact between contact		AC4000V (1min) AC1000V (1min)
Insulation Resistance		1000MΩ Min.(DC500V)
Operating Ambient Temperature		-40°C ~ +85°C
Humidity		35 to 95% RH
Vibration Resistance		10G (10~55Hz)(Dual amplitude:1.5mm)
Shock Resistance		10G
Life Expectancy Mechanically Electrically		10,000,000 ops. Min.(1800 ops./h) 100,000 ops. Min. (1200 ops./h)
Weight		6g(approx.)

CONTACT RATING

Item \ Type	10A	18A	20A
Rate Carrying Current	AC250V 10A DC 28V 10A	AC277V 18A	AC250V 20A
Max. Allowable Current	10A	18A	20A
Max. Allowable Voltage	AC 277V DC 30V		
Max. Current (continual)	10A	18A	20A
Max. Switching Power	2500VA/300W		
Contact Material	Ag alloy		

DIMENSIONS(Unit:mm)



PCB LAYOUT

WIRING DIAGRAMS(Bottom View)

1 a

