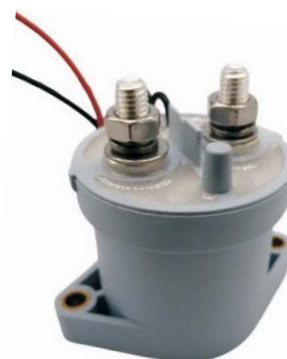
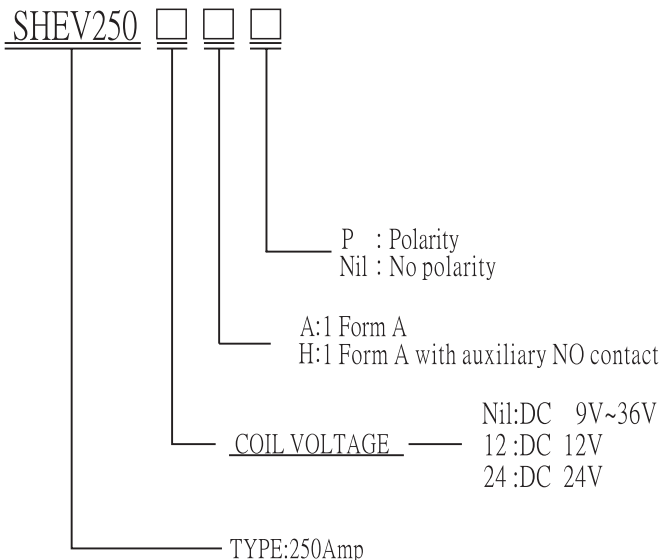


SHEV250 SERIES

ORDERING INFORMATION



FEATURES:

- Rated 250A switching capacity
- Fill with high-purity nitrogen and using NdFeB magnet to blow out the arc
- Highly sealed, safe and reliable
- Contactor for onboard chargers, auxiliary loads and precharge systems
- The product meets the requirements of GB14048.4-2010
- Compliance with ROHS

COIL

NOMINAL VOLTAGE (VDC)	COIL RESISTANCE	COIL POWER (W)	PULL IN VOLTAGE (VDC)max.	DROP OUT VOLTAGE (VDC)min.
9~36V (use for 12 or 24VDC)	3.2x (1±10%)Ω	Pull in instant 4.5W(<100ms) Steady state 1.5W	8~9VDC	6~7VDC

CHARACTERISTICS

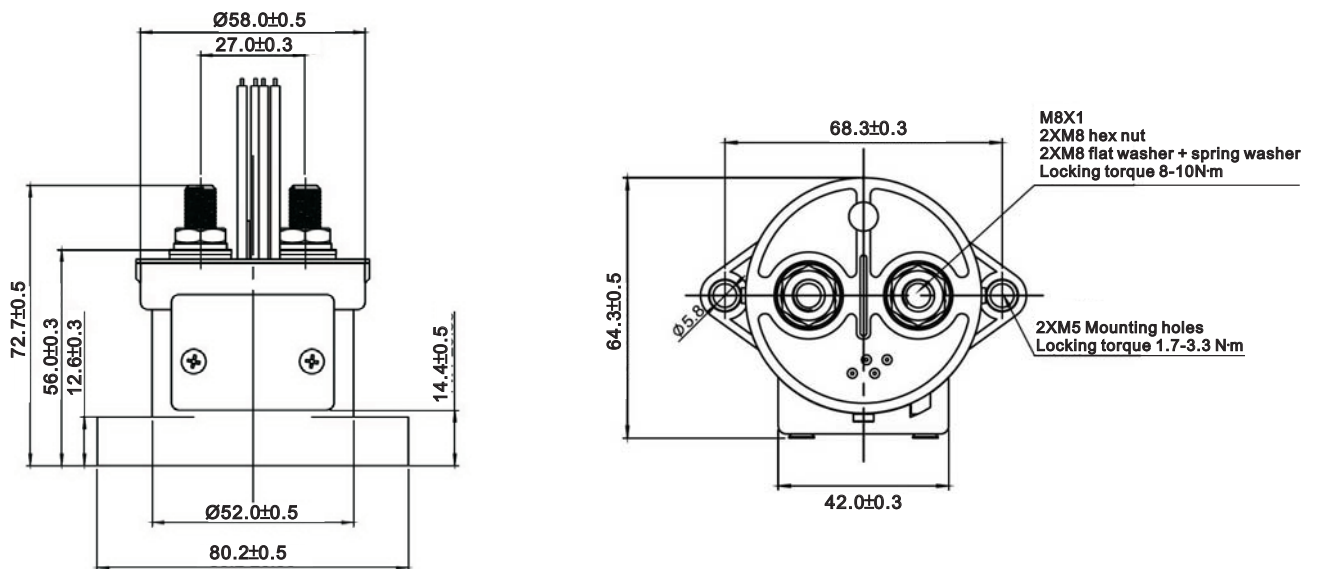
Item	Type	250A
Operate Time		30msec Max.
Release Time		10msec Max.
Bounce Time(after close only)		5msec Max.
Dielectric Strength between coil & contact between open contact		AC2500V (leakage <1mA) AC2500V (leakage <1mA)
Insulation Resistance		Between open contacts 1000MΩ ≥ (at DC1000V) Between contact and coil 1000MΩ ≥ (at DC1000V)
Operating Ambient Temperature		-40°C ~ +85°C (no freezing)
Humidity		5 to 85% RH
Vibration Resistnce(Stability)		Double amplitude 1.5mm, frequency 10Hz~500Hz. 1 hour in each direction, the time for the opening of the closed loop or the closing of the open loop should not exceed 1ms
Shock Resistnce(Stability)		196m/s ² (Pulse duration 6ms), 6 times(6 times in each direction of the three mutually perpendicular axes, 36 times in total) The time for the opening of the closed loop or the closing of the open loop should not exceed 1ms
Weight		430.0g(approx.)

CONTACT DATA

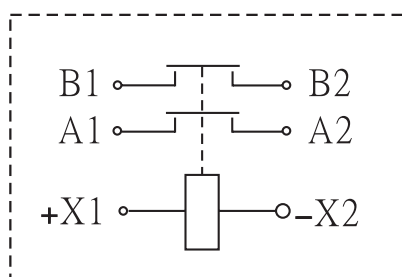
Item	Type	250A
Contact arrangement		1A
Contact resistance		$\leq 0.5m\Omega$ Max. (100A)
Rated load current		250A 450VDC/750VDC
Min.Contact switching load		12VDC 1A
Max. Switching Voltage		900VDC
Auxiliary Contact resistance		$\leq 100m\Omega$
Auxiliary Contact switching capability		2A 30VDC/3A 125VAC
Auxiliary Min.Contact switching load		100mA 8V
Mechanical endurance		2×10^5
Electrical endurance ⁽¹⁾		
Res. Load		250A 450VDC 5×10^3 250A 750VDC 2×10^3

Notes:(1)Until special statement the temperature of electrical endurance is at 23°C and the on-off ratio is 1.0s:9.0s

DIMENSIONS(Unit:mm)



Coil Wiring Diagram



Note:A1, A2 are load terminals, +X1 (red wire), -X2 (black wire) are coil leads, B1 (white wire) is auxiliary contact, and the load terminal has no polarity (or polarized products have polarity), Coil has polarity, auxiliary contact has no polarity.