

RAM SERIES


ORDER CODE
RAM-2A-12

COIL VOLTAGE

TYPE

□ : 1c
1A: 1a
1B: 1b
2A: 2a

6: DC 6V
9: DC 9V
10: DC 10V
12: DC 12V
24: DC 24V



Main Features:

- Automotive Relay.
- Contact rating up to 20amps
- Size: 15.40x12.10x13.70
- High Performance and Low profile.

COIL RATING (at 20°C)

NOMINAL VOLTAGE (VDC)	COIL RESISTANCE (Ω)(±10%)	POWER CONSUMPT -ION(W)	NOMINAL CURRENT (mA)(±10%)	PULL IN VOLTAGE (VDC)	DROP OUT VOLTAGE (VDC)	MAX. ALLOWABLE VOLTAGE (VDC)
6V	60Ω	0.6W	100.0mA	75% MAX.	10% MIN.	110%
9V	135Ω		66.7mA			
10V	180Ω		55.6mA			
12V	240Ω		50.0mA			
24V	960Ω		25.0mA			

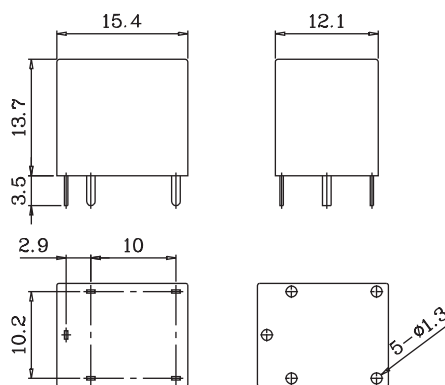
PERFORMANCE (at initial value)

Item	Type	20A
Contact Resistance		100mΩ Max.(initial)
Operate Time		10msec Max.
Release Time		5msec Max.
Dielectric Strength between coil & contact between contact		AC1000V (00/60Hz 1min) AC500V (50/60Hz 1min)
Insulation Resistance		100MΩ Min.(DC500V)
Operating Ambient Temperature		-30°C ~ +85°C(No freezing)
Vibration Resistance		Operating Extremes: 10~55Hz, Amplitude: 1.0mm Damage Limits: 10~55Hz, Amplitude: 1.0mm
Shock Resistance		Operating Extremes: 10G Damage Limits: 100G
Life Expectancy Mechanically		10,000,000 ops. Min.(1800 ops./h)
Electrically		DC14V-20A motol lock 200,000 Operations minimum DC14V-20A motol free 400,000 Operations minimum 100,000 ops. Min.(1200 ops./h)
Weight		10g(about)

CONTACT RATING

Item \ Type	1c	2a
Rated Carrying Current	DC14V 20A	DC14V 21WX6 Lamp load
Max. Allowable Current	25A	
Max. Allowable Voltage	DC 18V	DC 18V
Max. Current (continual)	20A	2X6A (25°C nominal voltage) 2X4A (85°C nominal voltage)
Min. Load	DC 10V 10mA	DC 10V 10mA
Contact Material	Ag alloy	

DIMENSIONS(Unit: mm)



PCB LAYOUT

WIRING DIAGRAMS(Bottom View)

